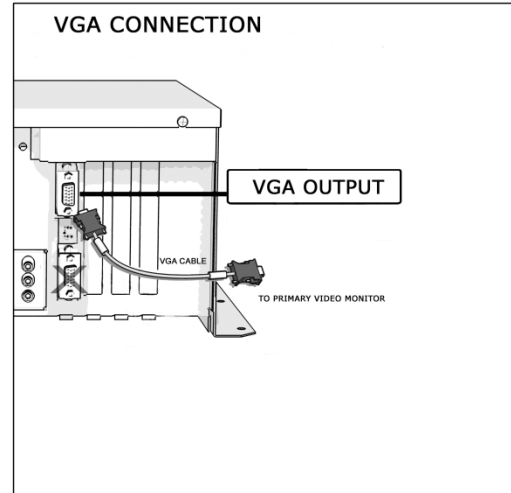


Incredible Technologies Showpiece™ Cabinet

VIDEO CONNECTIONS

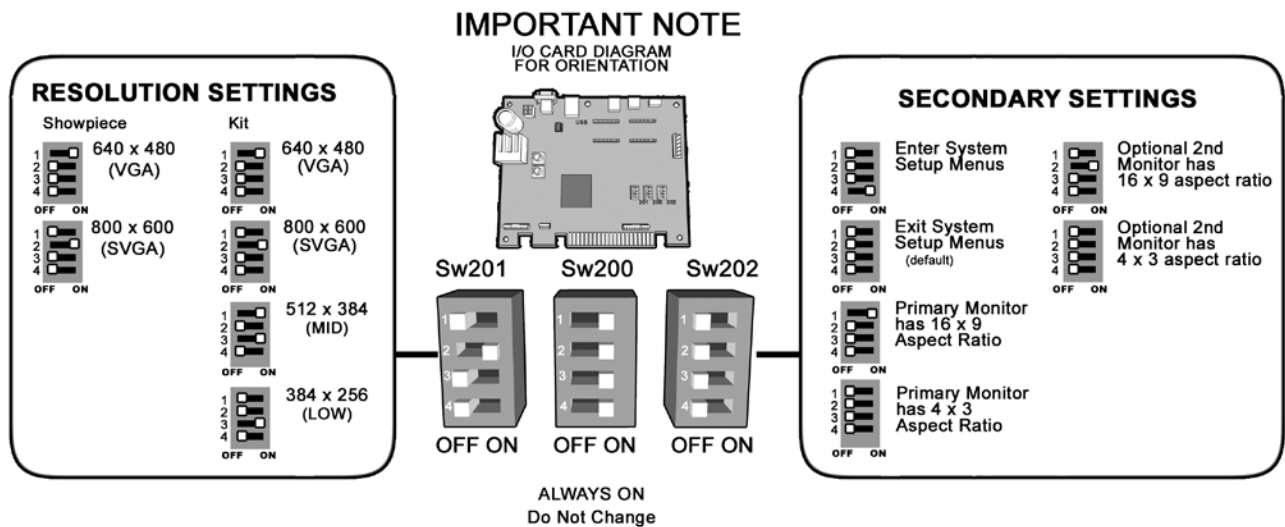
To connect the primary video monitor to the Nighthawk system box, connect one end of the VGA cable to the VGA output on the system box, and the other end of the cable to the proper input on the HDTV (typically labeled Computer, PC or VGA. Select the proper input from the TV menu).



DIP Switch Settings for HDTVs

DIP switch bank Sw201 on the I/O Board controls the video resolution for the main monitor. If a different resolution is necessary for your display, refer to the chart below for the proper setting.

Note: A reboot is required when changing resolutions.



Incredible Technologies Showpiece™ Cabinet

VIDEO AND AUDIO CABLES

If you need additional cables or different cable lengths not included with the Showpiece cabinet, they are available from a variety of retail and Internet sources. Monoprice.com is an excellent resource and a good place to start.

Video Cables from Monoprice.com

[15ft. SVGA Super VGA M/M Monitor CL2 Rated \(For In-Wall Installation\) Cable w/ ferrites \(Gold Plated\)](#)

[10ft. SVGA Super VGA M/M Monitor Cable w/ ferrites \(Gold Plated\)](#)

Audio Cables from Monoprice.com

[2 RCA Plug/2 RCE Plug M/M Cable – 12ft.](#)

[3.5mm Stereo Plug/2 RCA Jack cable – 6 in.](#)